

2MP 22x Indoor Network PTZ Dome Camera

IPC6222EI-X22UP-C



Key Features

Optics

- Starlight illumination
- 22x optical zoom
- Accurate and fast focusing

Compression

- Ultra 265, H.265, H.264, MJPEG
- Embedded smart algorithm
- Triple streams
- Customized OSD

Network

- ONVIF Conformance

Structure

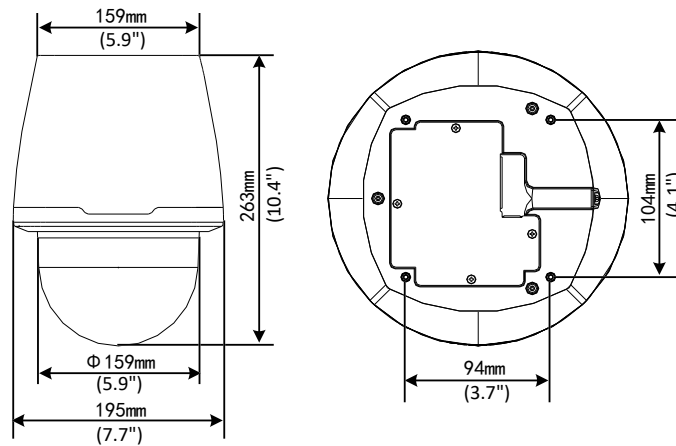
- Fast installation structure design
- Intelligent temperature control technology
- 6KV surge protection designed for network interface

Specifications

IPC6222EI-X22UP-C					
Camera					
Sensor	1/2.8", 2.0 megapixel, progressive scan, CMOS				
Lens	5.2 ~ 114.4mm, AF automatic focusing and motorized zoom lens				
Digital Zoom	16				
Optical Zoom	22				
DORI Distance	Lens (mm)	Detect (m)	Observe (m)	Recognize (m)	Identify (m)
	5.2	80.7	32.3	16.1	8.1
	114.4	1775.2	710.1	355	177.5
Angle of View (H)	55.9° ~ 3.5°				
Angle of View (V)	33.5° ~ 1.6°				
Angle of View (O)	68.8° ~ 4.2°				
Shutter	Auto/Manual; shutter time: 1 ~ 1/100000s				
Minimum Illumination	Colour: 0.001Lux (F1.5, AGC ON) B/W: 0.0001Lux(F1.5, AGC ON)				
Iris	Auto/Manual; F1.5 ~ F3.0				
Day/Night	IR-cut filter with auto switch (ICR)				
Digital noise reduction	2D/3D DNR				
S/N	>52dB				
Defog	Digital Defog				
WDR	120dB				
Video					
Video Compression	Ultra 265, H.265, H.264, MJPEG				
H.264 code profile	Baseline profile, Main Profile, High Profile				
Frame Rate	Main Stream: 2MP (1920*1080), Max 30fps; Sub Stream: 2MP (1920*1080), Max 30fps; Third Stream: D1 (720*576), Max 30fps				
HLC	Supported				
BLC	Supported				
OSD	Up to 8 OSDs				
Privacy Mask	Up to 24 areas				
ROI	Up to 8 areas				
Motion Detection	Up to 4 areas				
Smart					
Behavior Detection	Intrusion, cross line, motion detection				
Intrusion	Enter and loiter in a pre-defined virtual region				
cross line	Cross a pre-defined virtual line				
motion detection	Moving within a pre-defined virtual region				
Recognition	Face detection, Audio detection				
Intelligent Identification	Object Left, Object Moving				

Statistical Analysis	People counting
General Function	Watermark, IP Address Filtering, Tampering Alarm, Alarm input, Alarm output, Access Policy, ARP Protection, RTSP Authentication, User Authentication
Audio	
Audio Compression	G.711
Two-way audio	Supported
Suppression	Supported
Sampling Rate	8KHZ
Storage	
Edge Storage	Micro SD, up to 256GB
Network Storage	ANR
Network	
Protocols	IPv4, IGMP, ICMP, ARP, TCP, UDP, DHCP, PPPoE, RTP, RTSP, RTCP, DNS, DDNS, NTP, FTP, UPnP, HTTP, HTTPS, SMTP, 802.1x, SNMP, QoS
Compatible Integration	ONVIF (Profile S, Profile G, Profile T), API
Pan & Tilt	
Pan Range	360° (endless)
Pan Speed	0.1°/s ~ 400°/s
	Preset speed:540°/s
Tilt Range	-18° ~ 90° (auto reverse)
Tilt Speed	0.1° ~ 240°/s
	Preset speed: 400°/s
Number of Presets	1024
Patrol	Preset patrol, route patrol, recorded patrol
Home Position	Supported
Interface	
Audio I/O	Audio cable
	1 Input: impedance 35kΩ; amplitude 2V [p-p]
	1 Output: impedance 600Ω; amplitude 2V [p-p]
Alarm I/O	2/1
Serial Port	1 RS485
Network	1 RJ45 10M/100M Base-TX Ethernet
Video Output	1 BNC, impedance 75Ω; amplitude 1V [p-p]
General	
Power	AC 24V±25%, DC 24V±25%, PoE (IEEE 802.3at)
	Power consumption: 8 ~ 20W
Dimensions (Ø x H)	Ø195 x 263mm (Ø7.7" x 10.4")
Weight	3.5kg (7.7lb)
Working Environment	-20°C ~ 50°C (-4°F ~ 122°F), Humidity: ≤95% RH (non-condensing)
Vandal Resistant	IK10

Dimensions



Zhejiang Uniview Technologies Co., Ltd.

Building No.10, Wanlun Science Park, Jiangling Road 88, Binjiang District, Hangzhou, Zhejiang, China (310051)

Email: overseasbusiness@uniview.com; globalsupport@uniview.com

<http://www.uniview.com>

©2019 Zhejiang Uniview Technologies Co., Ltd. All rights reserved.

*Product specifications and availability are subject to change without notice.